

# Spratronics PreWet O-NOZZLE

## Accurately Prewet Salts for Maximum Performance

### Improved Technology

Prewetting can improve the performance of de-icing salts by as much as 400% when sprayed at the correct rate.

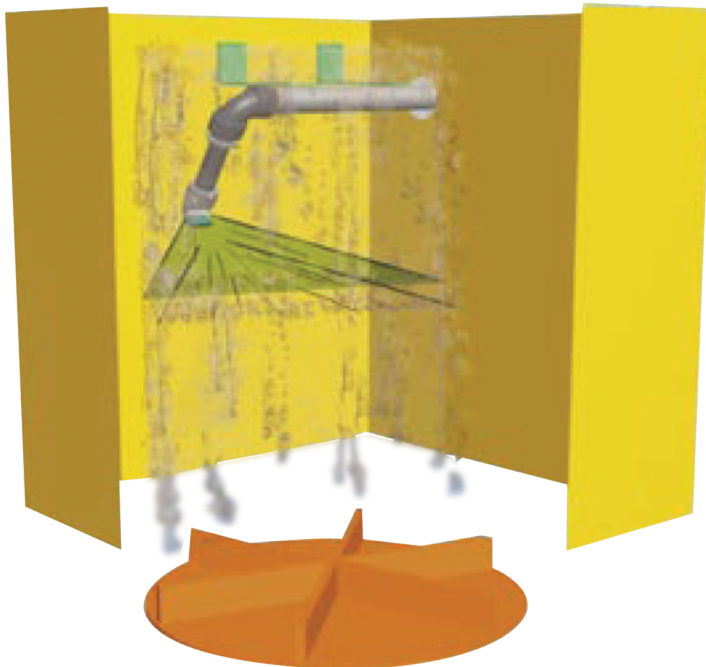
Now it is possible to accurately control prewet rates to precisely match salt spreading rates.

The **PreWet O-NOZZLE** uses patented technology to spray from 0.1 to 13 GPM as needed.

Finally, prewetting really works as it should.

### Major Advantages

- Only one **O-NOZZLE** is required.
- Uniform spray rates mean salt is fully wetted per specifications at all spraying speeds from 1-60 mph.
- More miles covered per fill up.
- Less downtime returning to reload station for refills.



*shown  
actual size*

### Variable Orifice Features

- The variable orifice opens and closes as flow to the **O-NOZZLE** varies.
- Nozzle flow is proportional to ground speed and operator selected flow rates.
- The anti-drip design immediately shuts off when flow stops.

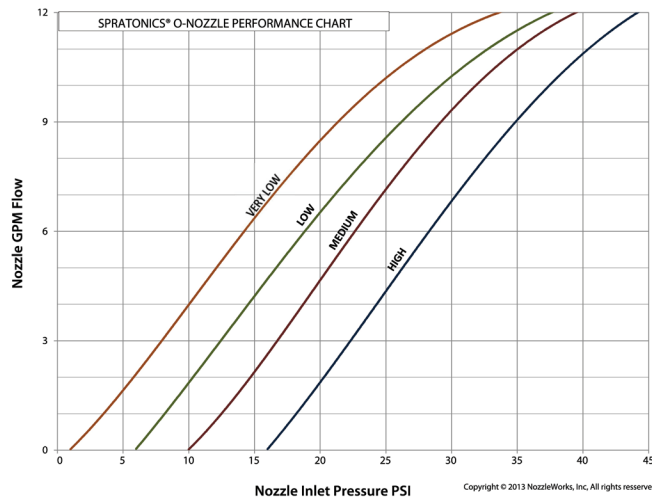
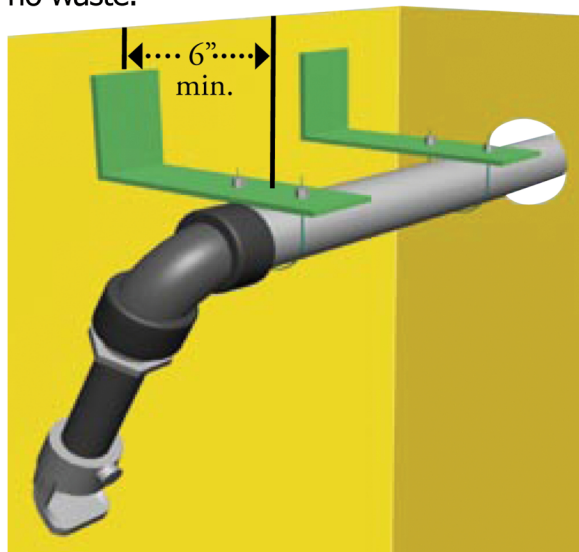
### Prewetting Illustrated

The drawing depicts a typical installation, spraying onto salt as it falls onto spinner. The **PreWet O-NOZZLE** may also be mounted to spray directly onto conveyors or spinner. The 100° fan shaped spray pattern may be turned to match widths required.

Only one **PreWet O-NOZZLE** is required to fully wet material. It's easy to install - no check valves are required - and represents your least costly solution to build and operate.

## Outstanding Results

Unlike fixed orifice nozzles that dribble at low pressure and choke at higher pressures, the **PreWet O-NOZZLE** responds uniformly across the full range of pump pressures and flow rates. This guarantees results – when more spraying volume is called for, the **O-NOZZLE** responds instantly. Whenever spraying is stopped, the **O-NOZZLE** spring system seals the orifice tightly with no drips, no waste.



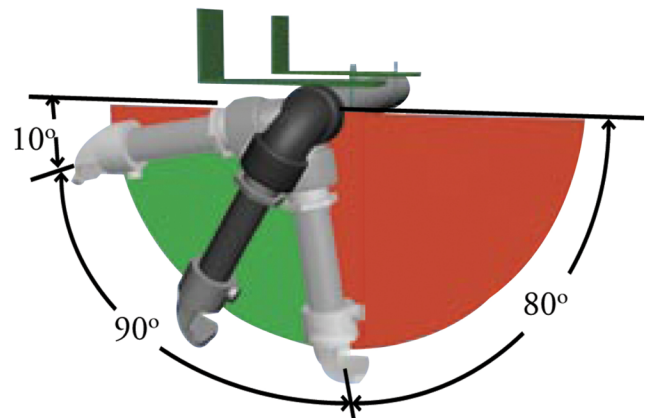
## Easy Installation

- The **PreWet O-NOZZLE** is easy to install using simple brackets and U-bolts or alternative methods of your choice
- **IMPORTANT**- Be certain that plumbing to the **O-NOZZLE** is a minimum 3/4". Add reducer brushing (3/4" – 1/2") immediately before **O-NOZZLE**.
- **IMPORTANT**- Always use Teflon tape to assemble all plastic plumbing parts.
- **IMPORTANT**- Never grasp the deflector tip end of the **O-NOZZLE** to tighten it. This is where factory calibration is set and must not be disturbed. Only grasp body in vicinity of Spratronics logo to turn or tighten. Finger tighten only.

## Aiming in the Critical Quadrant

To assure **PreWet O-NOZZLE** works correctly, install and position **O-NOZZLE** within the 90 degree arc show in green in this drawing. Do not position it in the red areas.

Aim **O-NOZZLE** to properly cover salt flow by grasping body near Spratronics logo, then rotate and twist as needed.



# SPRATRONICS®

A product of NozzleWorks, Inc

2020 MALTBY ROAD, STE 7  
PMB 167  
BOTHELL, WA 98021  
USA

Sales  
E: [orders@spratronics.com](mailto:orders@spratronics.com)  
P. 360-668-2548  
F. 360-668-3784